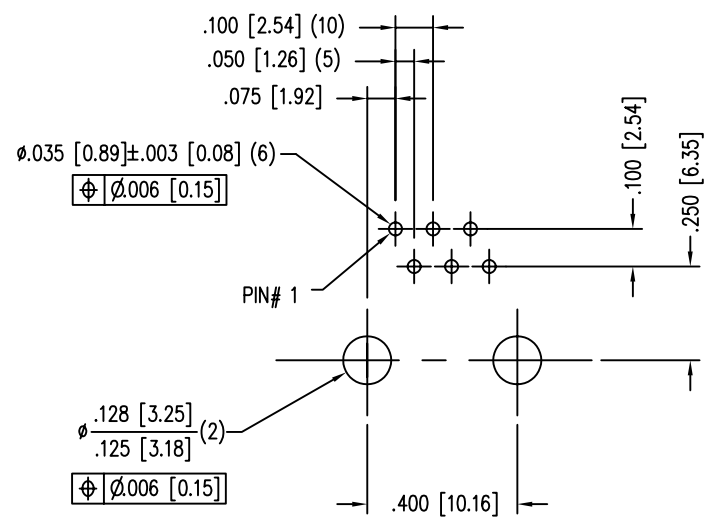
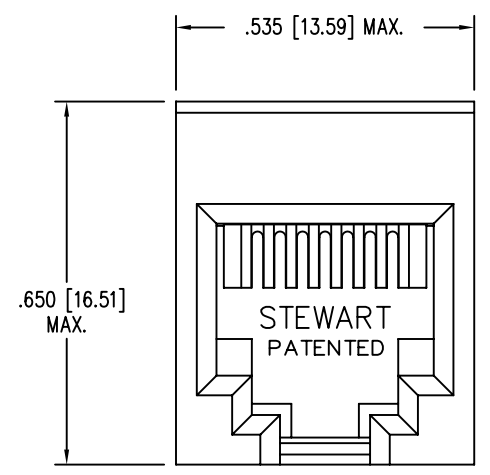
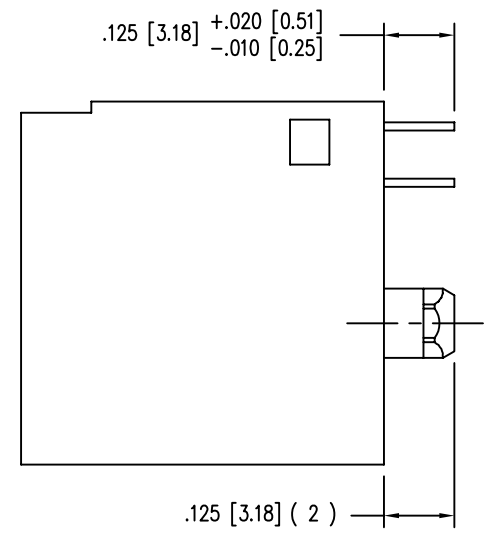
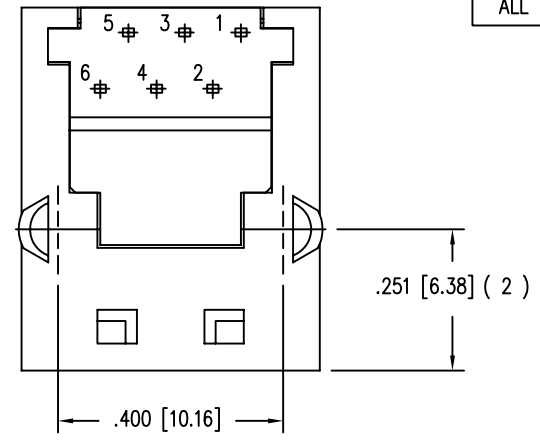


DATE	REV	ECN	APP'D. BY
4/11/03	A2	5913	RGC
11-18-05	A3	7390	TRM
1-17-06	A4	7435	JM
2/07/06	B0	7489	JM



P.C.B. RECOMMENDED HOLE LAYOUT
SEEN FROM COMPONENT SIDE
ALL CENTERLINE DIMENSIONS ARE BASIC.



- NOTES:
- CONNECTOR MATERIALS:
HOUSING: THERMOPLASTIC UL94 V-0
CONTACTS: COPPER ALLOY
CONTACT PLATING: SELECTIVE GOLD IN CONTACT AREA
SEE CHART FOR PART NUMBER
 - FOR PRODUCT SPECIFICATION SEE PRO26-01.
 - TOLERANCES COMPLY WITH F.C.C. DIMENSION REQUIREMENTS.

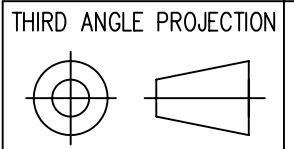
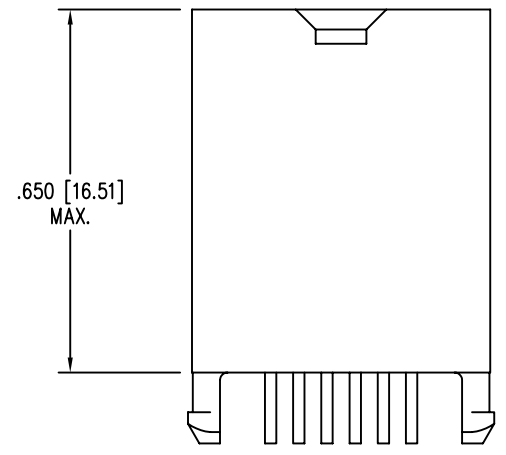
50 MICRO-INCHES [1.27um]	SS-6566-NF-50
30 MICRO-INCHES [0.76um]	SS-6566-NF
CONTACT PLATING IN MATING AREA	PART NUMBER

B

B

A

A

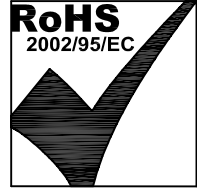


DO NOT SCALE DRAWING
DRAWING IS SUBJECT TO
CHANGE WITHOUT NOTICE

DIMENSIONS: INCHES [METRIC]

UNLESS OTHERWISE SPECIFIED
TOLERANCES ARE ±.005 [0.13]
ANGLES ARE ± 1°

SHEET NO. 1 OF 1



Bel Stewart Connector

11118 Susquehanna Trail South
Glen Rock, PA 17327-9199
(717) 235-7512 Fax: (717) 235-7954 <http://www.stewartconnector.com>

TITLE: 6 CONTACT, 6 POSITION UNSHIELDED VERTICAL MOUNT JACK
NON-FLANGE

THIS DRAWING AND THE SUBJECT MATTER SHOWN THEREON
ARE CONFIDENTIAL AND THE PROPRIETARY PROPERTY OF
OF STEWART AND SHALL NOT BE REPRODUCED, COPIED
OR USED IN ANY MANNER WITHOUT PRIOR WRITTEN
CONSENT OF STEWART. THE SUBJECT MATTER MAY
BE PATENTED OR A PATENT MAY BE PENDING.

DRN BY:	DAB	DATE	4-11-03
APPD BY:	RGC	DATE	4-28-03
DWG NO.	CT650013	REV.	B0

REV. 3/25/03